

# Mobile Restrooms



## UltraLav - A landmark at any event

UltraLav, an exciting name in luxury mobile restrooms, is brought to you by Wells Cargo - a name synonymous with quality. We're confident UltraLav will set a higher standard by which other restroom trailers are measured.

Beyond its upscale amenities, the UltraLav is a Wells Cargo at heart. This means every UltraLav embodies a legacy of commercial grade reliability, rugged durability, and low maintenance.



## Standard Features Include:

### INTERIOR

- Lockable Base Cabinet (Most Units)
- Solid Surface Countertop & Sink
- Self-Closing Sink faucet
- Soap Dispenser
- Shatter Proof Mirror
- Ceramic China Pedal Flush Toilet
- Toilet Paper Holder
- Paper Towel Dispenser
- Waste Basket
- Sanitary Supply Receptacle (Women's Restroom Module Only)
- Auto Flush Ceramic China Urinal (Men's Restroom Module Only)
- Smooth, Mar Resistant Laminated Interior Walls
- 1-Piece, Non-Skid Rubber Floor
- 1-Piece Ceiling With Built In Air Supply & Air Return
- Wall Mounted Thermostat

### EXTERIOR

- Fold-Down ATP Steps With Aluminum Railings
- LED Porch Light & Occupancy Indicator Light
- 3" Quick Connect Waste Tank Access Valve
- Waste Tank Level Indicator (Sight Glass)
- Fresh Water Hook-Up
- 120v/20 AMP Motor-Base Receptacle
- Roof Mounted Low Profile A/C with Heat Strip



## Optional Features:

- Fresh Water System (105 gal.)
- Stereo
- Mirror Frames
- Water Heater
- Roof Vents
- Interior Color Options
- Crane Lifting Points
- Full Winterization Package

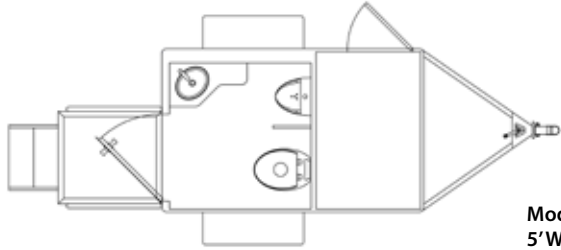


# UltraLav™

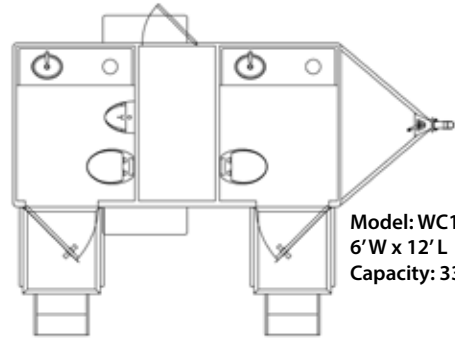
MOBILE RESTROOM TRAILERS

Shown with optional Mirror Frames and Stereo.  
Standard Features, Specifications & Dimensions subject to change without notice.

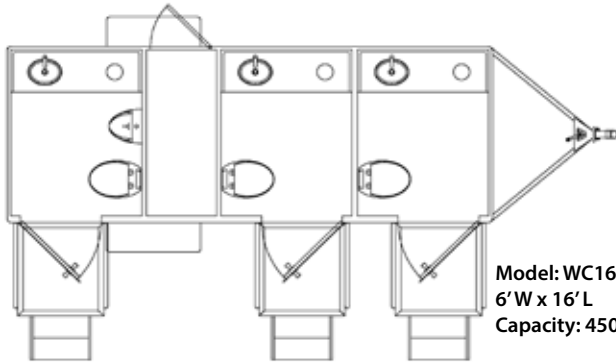
# Mobile Restrooms - Floor Plans



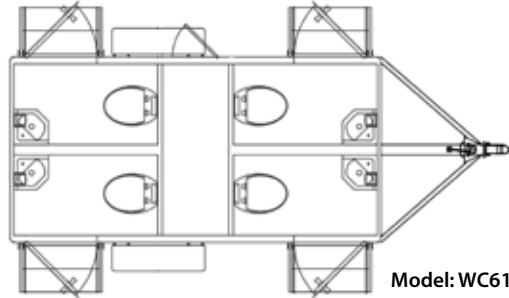
Model: WC8  
5' W x 8' L  
Capacity: 200 Gallons



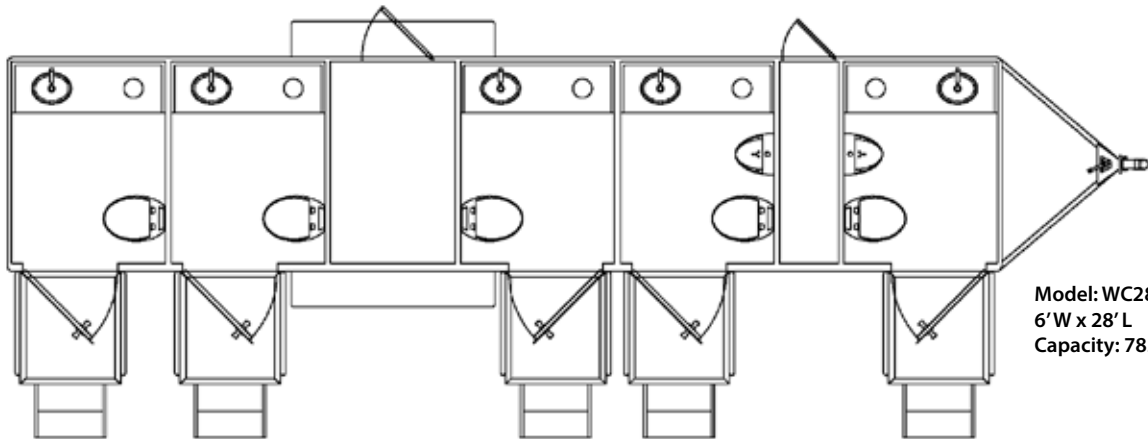
Model: WC12  
6' W x 12' L  
Capacity: 335 Gallons



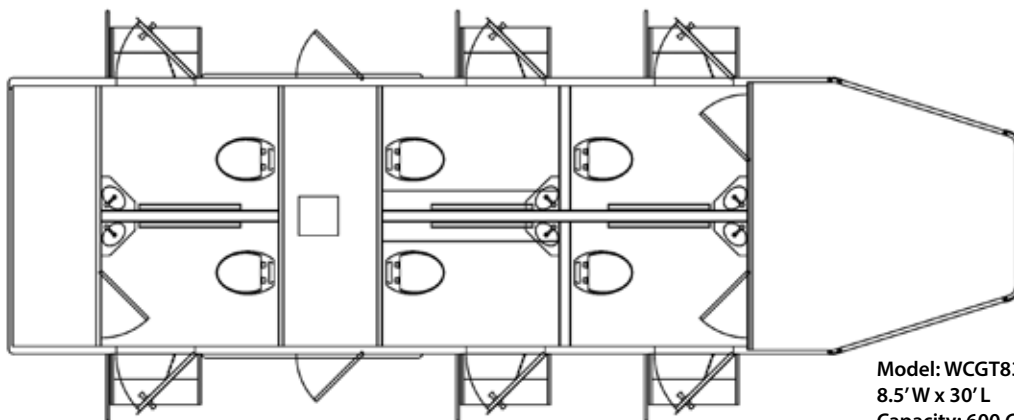
Model: WC16  
6' W x 16' L  
Capacity: 450 Gallons



Model: WC6121-4  
6' W x 12' L  
Capacity: 335 Gallons



Model: WC28  
6' W x 28' L  
Capacity: 785 Gallons



Model: WCGT8302-6  
8.5' W x 30' L  
Capacity: 600 Gallons

Standard Features, Specifications & Dimensions subject to change without notice.

Toll-Free: 877/301-3837  
Email: sales@ultralav.com  
Ultra Lav, P.O. Box 728, Elkhart, IN 46515

Phone: 574/264-9661 ext: 5204  
www.ultralav.com



facebook.com/ultralav  
twitter.com/ultralav

©Wells Cargo 2012 LITHO USA Form ULMR\_r0114

Want more information?  
Snap this with your smart  
phone to visit our website.



# UltraLav™

MOBILE RESTROOM TRAILERS



BY UNIVERSAL TRAILER